

CSW Subwoofer

User manual • Bruksanvisning • Manuel d'utilisation • Bedienungsanleitung • Manual del propietario

---

#### WIRELESS FEATURES

Built-in wireless receiver  
Wireless full CD audio quality  
No interference or delays  
**RF band (WIFI):** 2.4 GHz  
**Sample rate:** 48 KHz  
Dedicated proprietary network protocol  
**Range:** 20–100 m depending on conditions  
Channel sniffing and frequency hopping  
3 channels with 10 ID codes on each channel  
Wired option with balanced in/outputs

#### SPECIFICATIONS

**Type:** Powered wireless subwoofer with DSP, bass reflex cabinet. Can be used in wired set-up.  
**Amplifier:** 200 W (digital Class D)  
**Woofers:** 10" long throw  
**Frequency range:** 30–100 Hz  
**Variable crossover frequency:** 50–90 Hz  
**Dimension HxWxD:** 390x620x150 mm  
(without wall mounting bracket)

# ENGLISH

## WIRELESS LOUDSPEAKER SONAB CLS

This equipment has been tested and found to comply with the limits for a Class B digital device, pursuant to part 15 of the FCC Rules. These limits are designed to provide reasonable protection against harmful interference in a residential installation. This equipment generates uses and can radiate radio frequency energy and, if not installed and used in accordance with the instructions, may cause harmful interference to radio communications. However, there is no guarantee that interference will not occur in a particular installation. If this equipment does cause harmful interference to radio or television reception, which can be determined by turning the equipment off and on, the user is encouraged to try to correct the interference by one or more of the following measures:

- Reorient or relocate the receiving antenna.
- Increase the separation between the equipment and receiver.
- Connect the equipment into an outlet on a circuit different from that to which the receiver is connected.
- Consult the dealer or an experienced radio/TV technician for help.

To satisfy FCC RF exposure requirements, a separation distance of 20 cm or more should be maintained between this device and persons during device operation. To ensure compliance, operations at closer than this distance is not recommended. The antenna used for this transmitter must not be co-located in conjunction with any other antenna or transmitter.

This device complies with Part 15 of the FCC Rules. Operation is subject to the following two conditions: (1) this device may not cause harmful interference, and (2) this device must accept any interference received, including interference that may cause undesired operation.

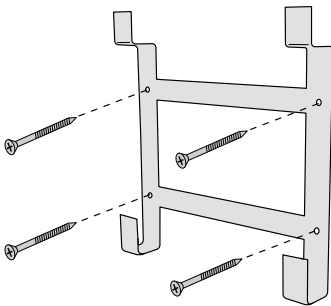
Pour satisfaire aux exigences de la FCC d'exposition aux radiofréquences, une distance de séparation de 20 cm ou plus doit être maintenue entre cet appareil et des personnes lors de fonctionnement du dispositif. Pour assurer la conformité des opérations au plus près que cette distance n'est pas recommandée. L'antenne utilisée pour ce transmetteur ne doit pas être co-localisés en conjonction avec toute autre antenne ou transmetteur.

Cet appareil est conforme à la Partie 15 des règlements de la FCC. L'opération est soumise aux deux conditions suivantes: (1) cet appareil ne peut causer d'interférences nuisibles, et (2) cet appareil doit accepter toute interférence reçue, y compris les interférences qui peuvent provoquer un fonctionnement indésirable.

Under Industry Canada regulations, this radio transmitter may only operate using an antenna of a type and maximum (or lesser) gain approved for the transmitter by Industry Canada. To reduce potential radio interference to other users, the antenna type and its gain should be so chosen that the equivalent isotropically radiated power (e.i.r.p.) is not more than that necessary for successful communication.

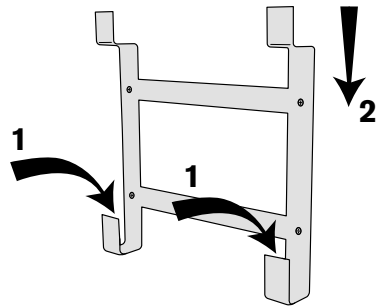
Conformément à la réglementation d'Industrie Canada, le présent émetteur radio peut fonctionner avec une antenne d'un type et d'un gain maximal (ou inférieur) approuvé pour l'émetteur par Industrie Canada. Dans le but de réduire les risques de brouillage radioélectrique à l'intention des autres utilisateurs, il faut choisir le type d'antenne et son gain de sorte que la puissance isotrope rayonnée équivalente (p.i.r.e.) ne dépasse pas l'intensité nécessaire à l'établissement d'une communication satisfaisante.

## WALL BRACKET MOUNTING Use only supplied wall bracket.



### Mount bracket to wall.

Make sure to use suitable screws/plugs depending on wall material



### Slide CSW into place on the fixtures

**NOTE: Do all settings on rear before mounting CSW to its place**



The lightning flash with arrowhead symbol, within an equilateral triangle, is intended to alert the user to the presence of uninsulated "dangerous voltage" within the product's enclosure that may be of sufficient magnitude to constitute a risk of electric shock to persons.



**WARNING**  
Risk of electric shock  
Do not open

**AVIS**  
Risque de choc électrique  
Ne pas ouvrir



The exclamation point within an equilateral triangle is intended to alert the user to the presence of important operating and maintenance (servicing) instructions in the literature accompanying the appliance.

**WARNING:**  
TO REDUCE THE RISK OF FIRE OR ELECTRIC SHOCK, DO NOT EXPOSE THIS APPARATUS TO RAIN OR MOISTURE.

**CAUTION:**  
TO REDUCE THE RISK OF ELECTRIC SHOCK, DO NOT REMOVE COVER (OR BACK). NO USER-SERVICEABLE PARTS INSIDE. REFER SERVICING TO QUALIFIED SERVICE PERSONNEL.

## IMPORTANT SAFETY INSTRUCTIONS

1. Read these instructions.
2. Keep these instructions.
3. Heed all warnings.
4. Follow all instructions.
5. Do not use this apparatus near water.
6. Clean only with dry cloth.
7. Do not block any ventilation openings. Install in accordance with the manufacturer's instructions.
8. Do not install near any heat sources such as radiators, heat registers, stoves, or other apparatus (including amplifiers) that produce heat.
9. Protect the power cord from being walked on or pinched particularly at plugs, convenience receptacles, and the point where they exit from the apparatus.
10. Only use attachments/accessories specified by the manufacturer.
11. Unplug this apparatus during lightning storms or when unused for long periods of time.
12. Refer all servicing to qualified service personnel. Servicing is required when the apparatus has been damaged in any way, such as power-supply cord or plug is damaged, liquid has been spilled or objects have fallen into the apparatus, the apparatus has been exposed to rain or moisture, does not operate normally, or has been dropped.
13. Damage Requiring Service  
Unplug the apparatus from the wall outlet and refer servicing to qualified service personnel under the following conditions:  
A. When the power-supply cord or plug is damaged,

- B. If liquid has been spilled, or objects have fallen into the apparatus,
- C. If the apparatus has been exposed to rain or water,
- D. If the apparatus does not operate normally by following the operating instructions. Adjust only those controls that are covered by the operating instructions as an improper adjustment of other controls may result in damage and will often require extensive work by a qualified technician to restore the apparatus to its normal operation,
- E. If the apparatus has been dropped or damaged in any way, and
- F. When the apparatus exhibits a distinct change in performance this indicates a need for service.

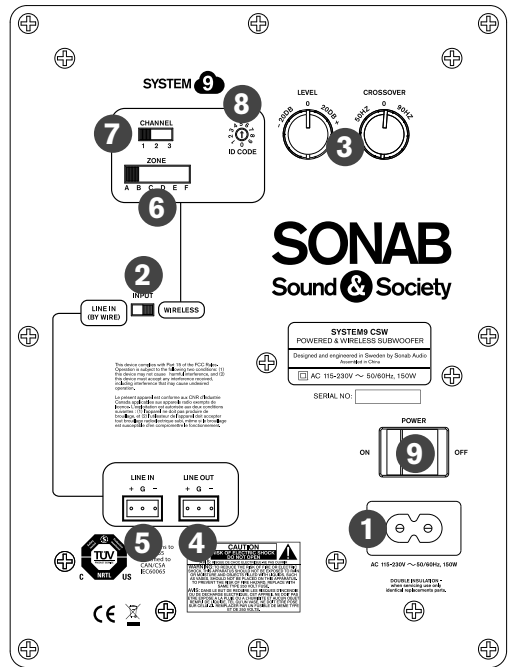
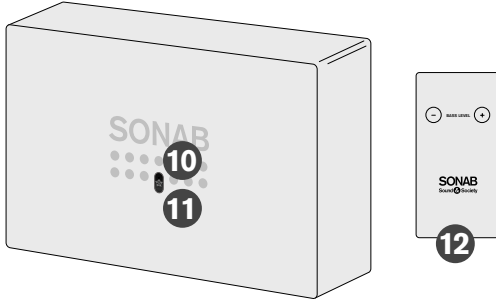
14. Object and Liquid Entry  
Never push objects of any kind into the apparatus through openings as they may touch dangerous voltage points or short-out parts that could result in a fire or electric shock. The apparatus shall not be exposed to dripping or splashing and no objects filled with liquids, such as vases shall be placed on the apparatus. Don't put candles or other burning objects on top of this unit.

15. Batteries  
Always consider the environmental issues and follow local regulations when disposing of batteries.

16. The power supply and power cord for this apparatus is intended for indoor use only.

WHERE THE MAINS PLUG OR AN APPLIANCE COUPLER IS USED AS THE DISCONNECT DEVICE, THE DISCONNECT DEVICE SHALL REMAIN READILY OPERABLE.

# OVERVIEW



## REAR

### 1. Power

Connect to AC outlet 115–230V.

### 2. Wireless – Line in Wired switch

Determines in which mode the speaker should operate.

### 3. Crossover and Level controls

Set crossover frequency 50 Hz–90 Hz, and level -20 dB to +20 dB.

### 4. Line Out

Connect to “Line in” on other System 9 speaker with balanced cable.

### 5. Line In

Connect from “Line Out” on CGV or other System 9 speaker with balanced cable. (Make sure to switch to Line In Wired audio input, see point 2.)

### 6. Volume Zone

Determines to which volume zone the speaker should be set (A–F).

### 7. Channel

Set to channel 1, 2 or 3. (Whole system must use same channel as CTX transmitter.)

## 8. ID code

On each Channel(1-2-3), there are 10 different ID codes. Set whole system with same ID code.

## 9. Main power switch

## FRONT

### 10. LED wireless indicator

Blue LED indicates that the speaker is receiving signal (wired or wireless). If there is no signal the speaker automatically goes into standby after 5 minutes and the LED changes from Blue to Red.

### 11. IR eye for remote control

### 12. Remote

Adjust bass levels -20dB to +20dB.

If manual volume knob on rear is used, this overrides previous adjustments done by remote.

## NOTE:

- Point 4–5 is only valid if the speaker is in wired mode.
- Point 6–8 is only valid if the speaker is in wireless mode.